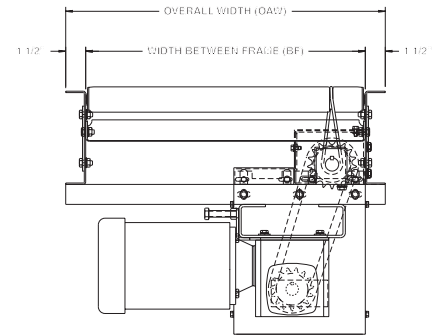


# MODEL 738LSC LIGHT DUTY LINE SHAFT DRIVEN CURVE MODULE



Conveyor shown with optional supports

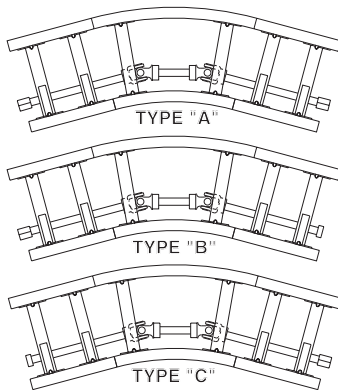
Model 738LSC features tapered rollers to help product maintain orientation. NO drive is required since it is designed to be driven from 738LS straight line shaft driven sections and includes close roller centers as a standard feature.



CURVE	90°	60°	45°	30°
BF	WT. (lbs.)	WT. (lbs.)	WT. (lbs.)	WT. (lbs.)
10"	219	167	155	132
16"	251	202	185	156
22"	290	242	213	183

\*Roller quantities listed for tapered rollers only. 1'-0" long tangents include 4 rollers and 1'-6" long tangents include 6 rollers per tangent.

LINE SHAFT CURVE COUPLINGS



## SPECIFICATIONS

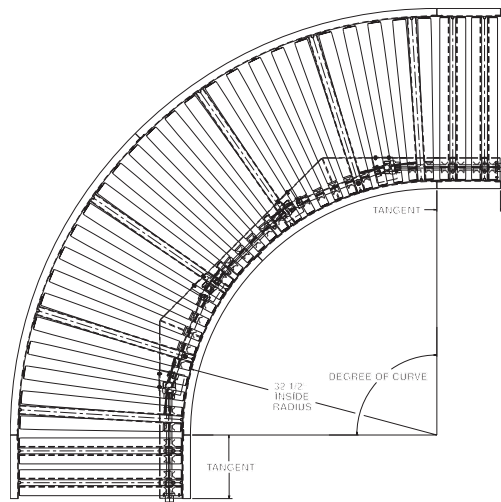
**TREAD ROLLERS:** 1.9" dia. to 1-3/8" dia. x 16 ga. tapered steel, model 138Tw/ 5/16" hex, grooved.

**DRIVE BELT:** 3/16" dia., polyurethane belts. Nominal 7.5 lbs. per roller drive.

**DRIVE SHAFT:** 1" dia. C1018 cold rolled steel shaft, located on inside radius. NOTE: Spools are keyed to provide positive drive (designed not to slip on drive shaft).

**COUPLINGS:** Couplings located both ends (type "A") or one end only (type "B" or "C"). See 'line shaft curve couplings' above and specify.

**UNIVERSAL JOINTS:** 4 per 90° and 60° curve; 2 per 45° and 30° curve.



**BEARINGS:** Precision, lubricated, ball bearing units with composite housings. 6 bearings per 90° and 60° curve; 4 per 45° and 30°.

**BED:** 7" x 1-1/2" x 12 ga. formed steel channel frame.

**TANGENTS:** 1'-0" both ends on 60° and 90°; 1'-6" both ends on 30° and 45°. 1'-0" infeed, 1'-0" discharge and no center tangent on 180°. Tangent roller centers 3" RC.

**MOTOR DRIVE:** Unit is designed to be driven by 738LS.

**ELECTRICAL CONTROLS:** Optional.

## OPTIONAL EQUIPMENT

**FLOOR SUPPORTS:** Supports, knee braces, casters, polytier supports & ceiling hangers available. See Conveyor Accessories.

**GUARD RAILS:** 1-3/4" x 1" formed channel (model GC), adjusts horizontally to 8" wider than roller and vertically to 6" above roller; formed steel fixed (model FSG in 2", 4" and 6" heights; fixed channel (model FC); 1-1/2" angle (model GA1-1/2). See Conveyor Accessories.



■ 3 week shipment